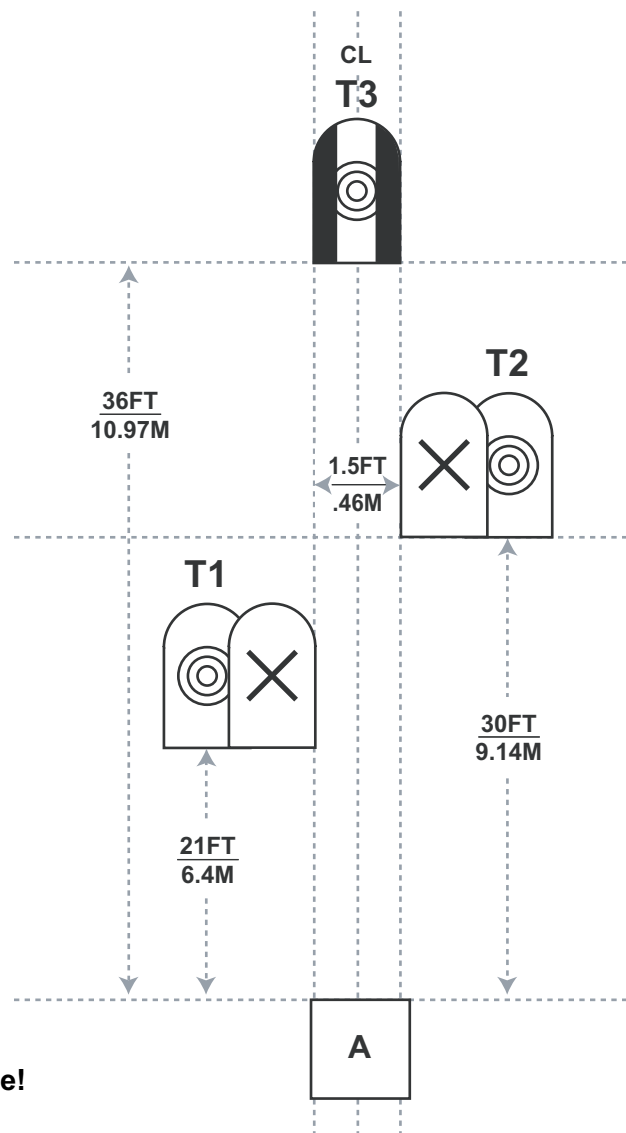




Tight Squeeze

CS-032



Drawing is Not to Scale!

Start Position: Standing in Box A, facing downrange, hands relaxed at sides.

Procedure:

At start signal, engage T1 thru T3 in any order with 2 rounds each. Perform a mandatory reload and reengage T1 thru T3 in any order with 2 rounds each.

Scoring: Shots Limited

Targets: 3 NRA D-1 paper

Rounds: 12

Start: Audible

Stop: Last shot

Penalties: Per the ICORE rulebook. Foot faults, extra shots, extra hits, procedurals no-shoots, and misses +5 seconds per occurrence.

Stage Setup: Place targets per drawing dimensions. Set no-shoots at the edge of the A zone. Hard cover is to touch the A zone. Set all targets at standard height with top of target 1.65 m (5 feet 6 inch) +/- 5cm (2 inches) from ground. Alignment is shown to centerlines of boxes and targets, unless otherwise noted. Shooting boxes are approximately 1m x 1m (3 feet x 3 feet).

CS-032

Shots Limited

Tight Squeeze



Target	A	B	C	M	Hits
T1					4
T2					4
T3					4

R.O. _____

Shooter _____

Total Hits		+		+		+		=	12
------------	--	---	--	---	--	---	--	---	----

Time Factor	x0		x1		x2		x5	
				+		+		=
			Extra Shots					X5=
			Extra Hits					X5=
			No Shoots					X5=
			Procedurals					X5=

Notes

	Clock Time
	Hit Time Added
	+ Extra Shots
	+ Extra Hits
	+ No Shoots
	+ Procedurals
	Total

Name _____

ICORE Number _____

Date _____ Club _____

Classic / Limited / Open (Circle one)